

Nstat ESD Control

Disposable Vinyl Wrist Strap NS-14401 Series.

Lightweight disposable writ strap, ideal for field service applications. One size fits all. The static dissipative vinyl has a surface resistance of $10e7$ Ohms, wich yields an effective resistance to ground.

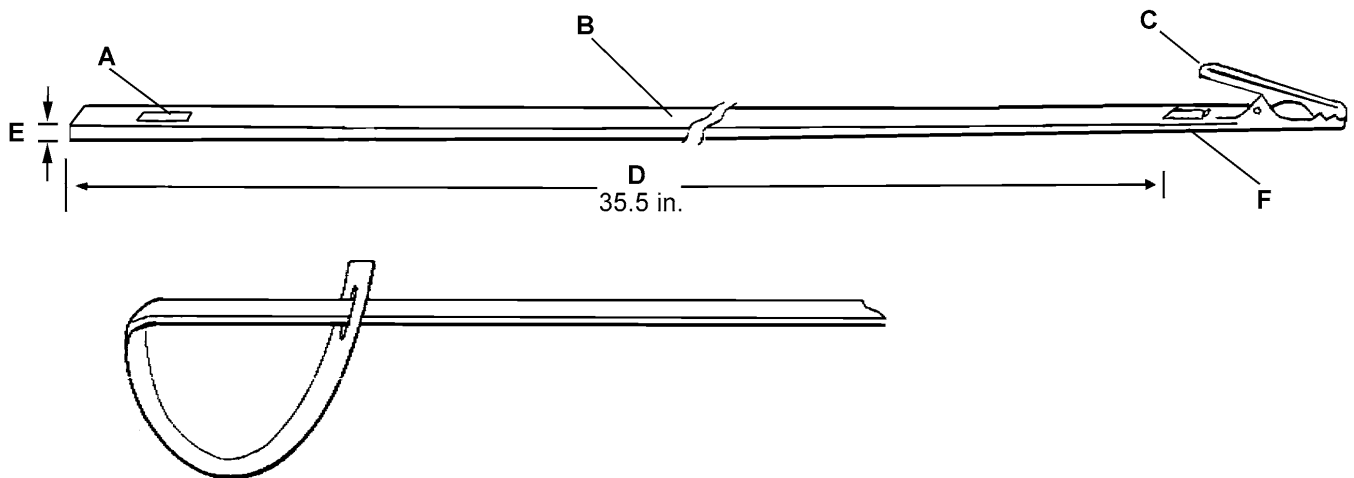
Applications

The disposable wrist strap is ideal for plant visitors and short term workers. Because of its low cost, it can also be shipped with loaded PC boards and other sensitive materials to provide the means for the field service technician to take appropriate ESD precautions.



Key Features

- A. Adjustable wrist strap portion with break-away feature.
- B. Material, vinyl static dissipative navy blue (both side).
- C. Mini alligator clip to attach to ground.
- D. Ribbon length: 35 inches.
- E. Thickness of material: 15 mils +/- 10%.
- F. Mini alligator clip is crimped to the ribbon.
- G. Flame resistant.
- H. Total resistance from clip to adjustable portion $10e7$ Ohms.



P R O D U C T D A T A S H E E T

Disposable Vinyl Wrist Strap NS-14401 Series

PRODUCT
Disposable Wrist Strap

ITEM NUMBER
SEE ABOVE



Nstat ESD Control

USA and Canada: 1-866-516-7828
Toll Free Mexico: 00180 05140052
1004 Des Fabricants
Terrebonne, QC, J6Y 2A6
email: info@nstatesd.com
www.NSTATESD.com